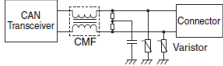
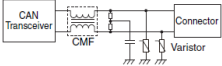
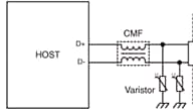
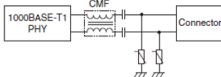
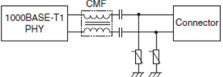








Automotive CMC & ESD Selection Guide

Auto Communication Protocol				CAN & CAN-FD	FlexRay	USB2.0	One-pair Ethernet 100BASE-T1	One-pair Ethernet 1000BASE-T1
Product	Footprint (EIA)	Series						
Common Mode Filter	0805	ACE1V				ACE1V2012-900-R ACE1V2012-121-R		
	1210	ACE1V		ACE1V3225	ACE1V3225		In Development	In Development
	1812	ACE1V		ACE1V4532	ACE1V4532			
ESD Suppressor	0402	AMLV		AMLV04V18C012 AMLV04V18C040	AMLV04V18C012 AMLV04V18C040			
	0603			AMLV06V32C010	AMLV06V32C010		AMLV06V26C110	
	0402	PolySurg				PS04LTVA1	0402ESDA-AEC1**	0402ESDA-AEC1**

**Compliant with OPEN Alliance Specification