

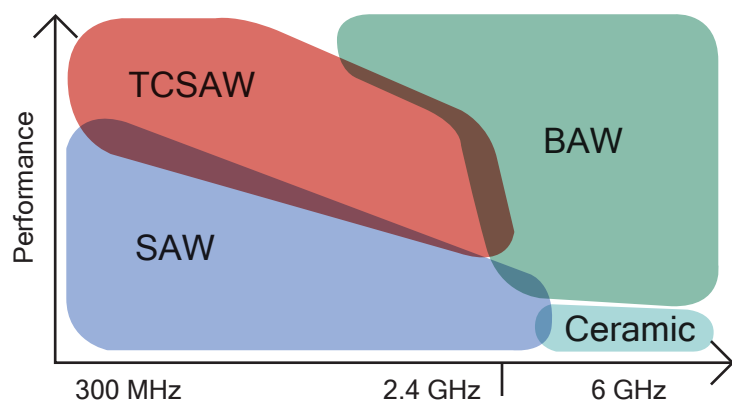


Qualcomm / RF360 offers **BAW/SAW/TC SAW** filter solutions for a wide range of connectivity applications, including Wi-Fi, BT, and GPS. These products are available for the consumer electronics (from wearables to appliances), Industrial (e.g. Robotics), and Automotive - AEC Q200 applications (e.g. Telematics/Infotainment). The Qualcomm SAW/BAW technology portfolio provides for the ability to offer unique filter solutions such as extractors, multiplexers, and integrated solutions. Further, Qualcomm SAW/BAW filters can be customized for specific applications.

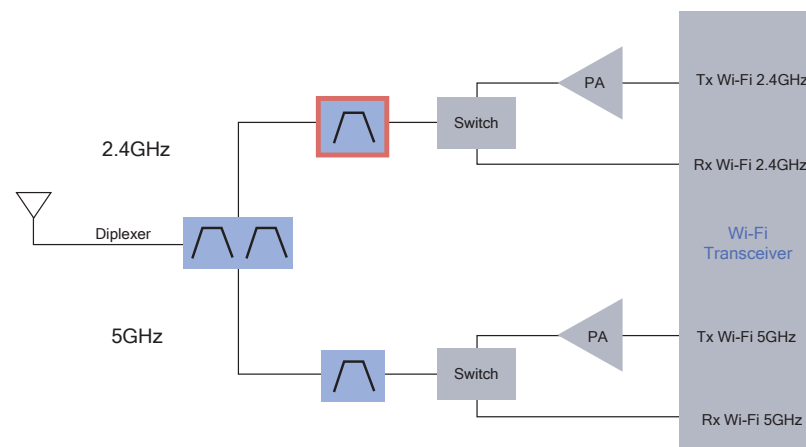
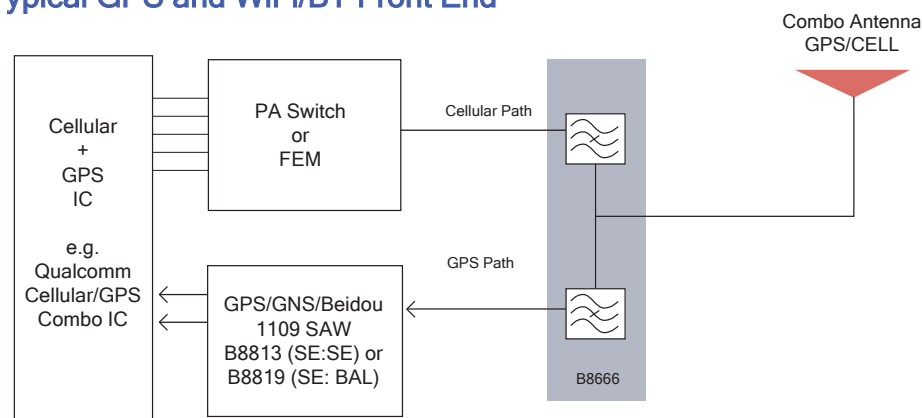
Product Highlights and Features

- High Precision GPS
- Filters avail for all GPS frequency bands (e.g. GPS, GNSS, and Beidou)
- LTE Coexistence Wi-Fi/BT
- Low-loss
- High temperature stability
- Technology diversity to meet the stringent requirements

Package sizes:



Typical GPS and WiFi/BT Front End





Type	Center Frequency (FC)	Usable Passband [MHz]	Package size [mm x mm]			Comment
			1.1 x 0.9	1.4 x 1.1	3.0 x 3.0	
GPS Filter	1575.72	2.0		B4308 B9457	B3400	GPS
	1587	40	B9877	B4310	B3414	GPS/GNSS
	1582	47	B8813	B4327 B9621		GPS/GNSS/Beidou
GPS Filter + LNA	1582	47		D5117		GPS Filter + LNA, 2.5 x 2.5mm
GPS Extractor	1582	47		B8666		GPS Extractor, 1.7 x 1.3mm
	1582	47		B4368	B3478	GPS Extractor, B4368 = 2.0 x 1.6mm, B3478 = 3.0 x 2.5mm
Wi-Fi Filter	2442	83.5	B4360	B4347	B3918	SAW B4347 and B3918 with SDARS co-existence
	2442	79	B8873	B8312		SAW, B8873 w/LTE co-existence
	2442	79	B8857 (GT)	B4346 B9634		BAW; w/B7/B40/B41 co-existence
GPS/Wi-Fi Filters + Diplexer	1582/2442	47/79		B8504		Diplexer + GPS SAW + Wi-Fi in 1 package @1.5 x 1.1mm

Glob Top (GT) = for indoors/wearable/consumer applications

■ Automotive
 ■ Industrial
 ■ Consumer

List represents only a selection (recommended) of available filters. Contact your local sales or distribution office for complete offering.